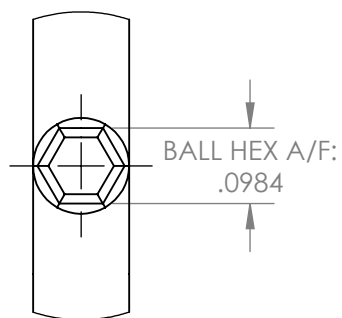
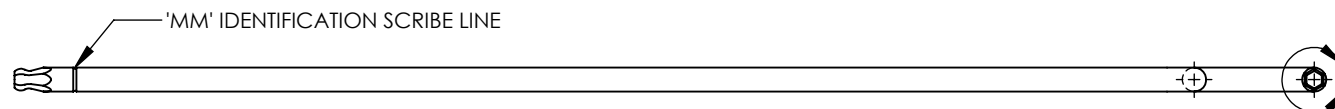
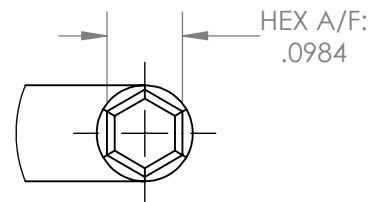


USE $\phi .156$ PIN FOR BENDING

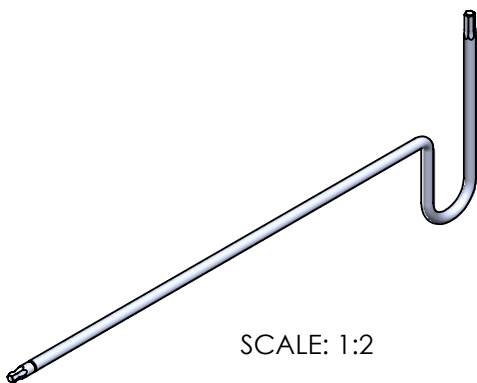
USE $\phi .500$ PIN FOR BENDING



DETAIL K
SCALE 4 : 1



DETAIL L
SCALE 4 : 1



SCALE: 1:2

UNLESS OTHERWISE SPECIFIED: DIMENSIONS ARE IN INCHES			TOLERANCES: X.XX= +/- 0.25 X.XXX= +/- 0.010 X.XXXX= - 0.0015		
DRAWN	NAME	SIGN	DATE		
APP'VD	A.T.		11.21.18		
MATERIAL: 465 MAGNETIC S.S.					TITLE: 2.5MM BALL 'T' HEX KEY_SP6.00"
THIS DRAWING IS THE PROPERTY OF STERITOOL, INC. ANY REPRODUCTIONS OR MODIFICATIONS OF THIS DRAWING OR ITS CONTENTS WITHOUT THE CONSENT OF STERITOOL, INC. IS PROHIBITED.					PART NO. 11931SP6BALL
					SCALE: 1:1